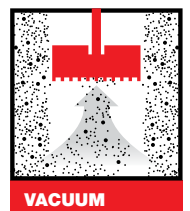
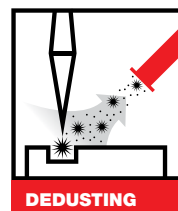


NA 35 Cyclone Preseparator Ruwac wetseparator

Special design for use in work environments with combustible dust and reactive suction media



PRODUCT OVERVIEW

NA 35 Vacuum combined with trolley is the most powerful immersion separation portable vacuum system available on the market designed to safely collect conductive metals, explosive or impact sensitive materials or glowing media.

With 100% of the intake air being completely submerged in liquids, the chance of an outside ignition source entering the vacuum is safely ruled out.

Utilizing a liquid-based filter system, the NA 35 combined with trolley series' will safely collect and neutralize aluminum, titanium, magnesium, mixed metals, high explosives and other volatile dusts.

ADVANTAGE :

- Designed to safely collect reactive metal dust, combustible and impact sensitive materials
- Durable GRP (glass reinforced fiber polyester) housing will never dent or rust — Guaranteed for life!
- Hydrophobic filters provide superior sub-micron filtration
- Low maintenance design with easy access for maintenance and service
- Optional HEPA Filter upgrades for absolute filtration
- Modular system

The NA35 Cyclone vacuums are most commonly used in these industry:

- Additive manufacturing
- Automotive vehicle part manufacturers
- Air bag manufacturers
- Aviation part manufacturers
- Conductive metals
- Gun powder manufacturers
- Impact sensitive materials
- 3D Printing
- Laser Sintering
- Fine Metal Powders

PRODUCT FEATURES

External sight glass for level monitoring

Additional tool basket for tool storage

Additional hose rack

Ball valve release for quick emptying liquids

Antistatic caster & Optional heavy duty pneumatic wheels



ADD ON OPTION

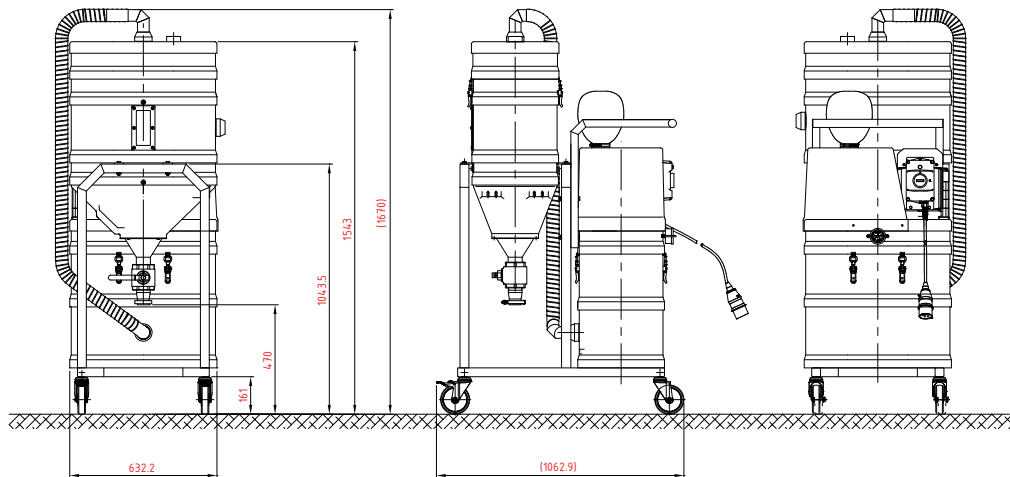
Additional cyclone
for material recovery

Optional continuous
discharge valve
available

Various collection
system available
for the required capacity



PRODUCT TECHNICAL DATA



	NA 35 D22 Combined Trolley Article no. 902484	NA 35 D40 Combined Trolley Article no. 902485
Housing	GRP	GRP
ATEX Zone	Zone 22 II 3 D	Zone 22 II 3 D
Motor power	2.2 kW	4.0 kW
Electrical specification	3 x 400 V 50 Hz	3 x 400 V 50 Hz
Filter type / Filter size	Cartridge filter / 2 x 1.7m ²	Cartridge filter / 2 x 1.7m ²
Vacuum max.	-206 mbar	-213 mbar
Airvolume max. measured with 3m hose DN 35 mm	240 m ³ / h	350 m ³ / h
Airvolume max. measured with cyclone & 3m hose DN 35 mm	175 m ³ / h	285 m ³ / h
Sound pressure level (dB(A)) DIN EN ISO 3744	70	62
Protection class IP	65	65
Capacity in liters	55	55
Suction connection (mm)	50	70

MACHINE CUSTOMIZATION AND OPTIONS

Machine customization

Article no	Product name and description
68302	Fill level monitoring
68935	Hepa filter for hazardous dust and absolute filtration.
71965	Potential equalization for machine
900023	Control system without digital display
900025	Control system with digital display



Cyclone preseparator set

Article no	Product name and description
900037	Stainless Steel Cyclone DN 300 with 110 L Preseparator bin in stainless steel on trolley with Tipping mechanism and bag suction - for use with 4.0 kW drive
902488	Stainless Steel Cyclone DN 250 with 70 L Preseparator bin in stainless steel on trolley with Tipping mechanism and bag suction - for use with 2.2 kW drive
902487	Stainless Steel Cyclone DN 250 with 50 L Preseparator bin in stainless steel on trolley with Tipping mechanism and bag suction - for use with 2.2 kW drive



Accessories

Article no	Product name and description
12064	Hose holder for keeping the hose organized
34947	Tool basket for storing the tools and cleaning equipment in one place
901210	Accessory pack for cleaning reactive powder DN 35 mm x 3.0 meter hose
902239	Accessory pack for cleaning reactive powder DN 35 mm x 5.0 meter hose

Consumables and wear part

Article no	Product name and description
20712	Cartridge filter type 1.70 m ²
46500	Residual dust filter 3.20 m ² H class
72555	Round dust brush Polymamide-trimming anti-static 15 mm - used in article no. 72562 Antistatic brush included in the accessory pack.
13083 + 16008	Air outlet bag
16000	Poly V Belt