

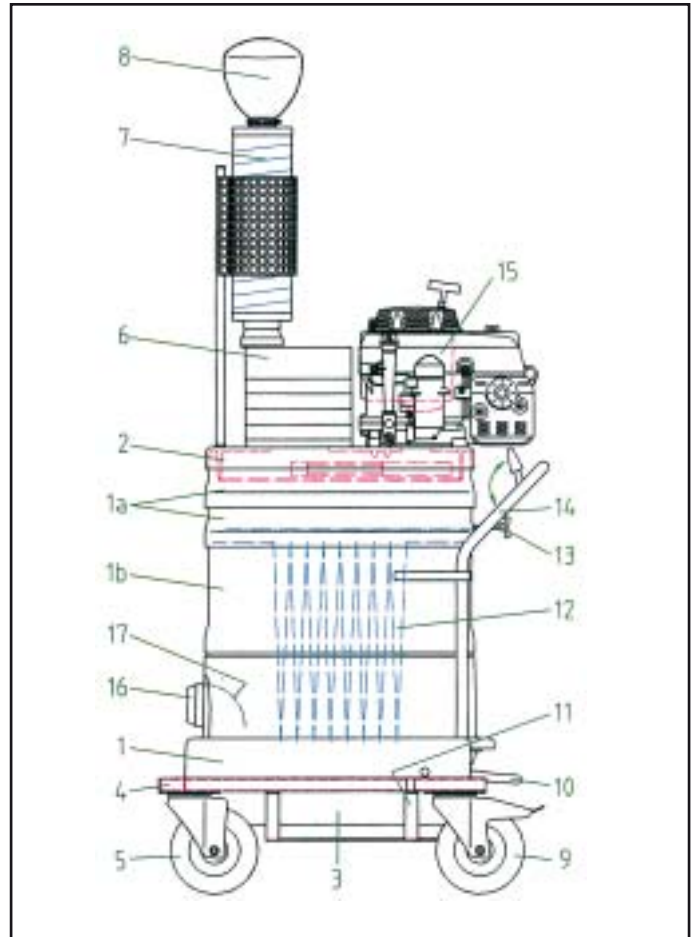
# Industrial vacuum with petrol engine BS 1000



# Powerful, portable vacuum unit

This special vacuum unit is fitted with a 6.3 kW, four-stroke petrol engine.

This unit is particularly suited to outdoor applications in wide open areas like construction sites where a portable unit is required. It is ideal for large spaces where a high power vacuum is required and where there is no mains power supply or where it would be impractical to use a long power supply cable.



<b>Length (mm)</b>	800
<b>Width (mm)</b>	500
<b>Height (mm)</b>	1.050
<b>Power (kW)</b>	6,3
<b>Filter surface (m<sup>2</sup>)</b>	1,2 oder 2,6
<b>Vacuum (mmWS)</b>	2.200
<b>Air flow rate (m<sup>3</sup>/h)</b>	410
<b>Capacity (litre)</b>	35
<b>Weight (kg)</b>	83
<b>Fuel tank capacity (litre)</b>	2
<b>Consumption (g/kW)</b>	315

- |                             |                    |
|-----------------------------|--------------------|
| 1 Bottom casing, GRP        | 11 Dust bin holder |
| 1a Small middle ring, GFK   | 12 Bag filter      |
| 1b Large middle ring, GFK   | 13 Shaker rod      |
| 2 Upper casing, GRP         | 14 Push handle     |
| 3 Dust bin                  | 15 Engine          |
| 4 Large trolley             | 16 Suction pipe    |
| 5 Pivot castor, ø 200 mm    | 17 Deflector       |
| 6 Suction turbine           |                    |
| 7 Flexible exhaust silencer |                    |
| 8 Exhaust bag               |                    |
| 9 Fixed castor, ø 200 mm    |                    |
| 10 Foot bar lock            |                    |

**If you would like expert advice or a practical demonstration at your site, please do not hesitate to contact us. We will be glad to help.**