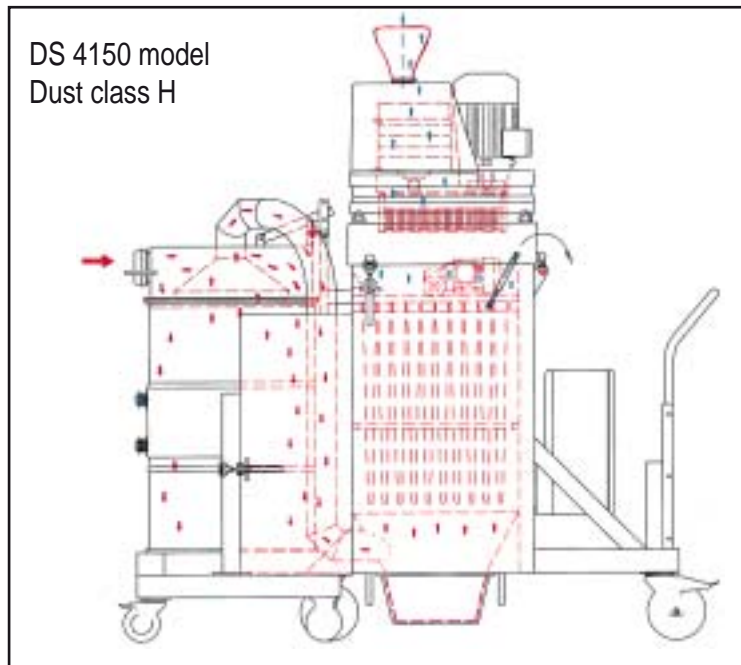


Large volume vacuum DS 4150

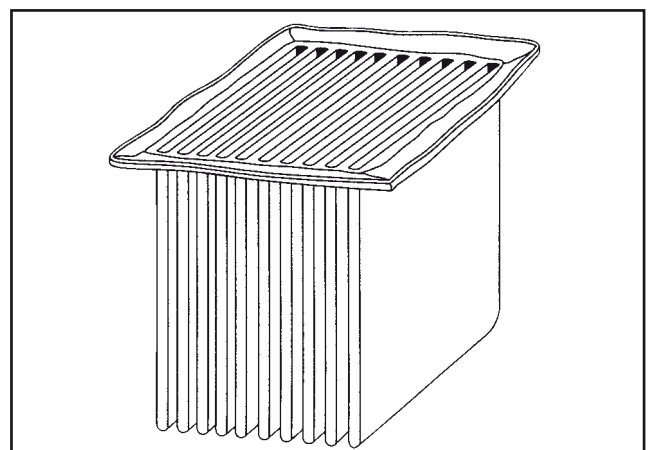


Top performance and advanced technology

- The RUWAC DS 4150 industrial vacuum is designed to handle large volumes safely.
- The standard version has a very large filter surface area of 11 m². The filter of the Dust Class H version has a surface area of 16.8 m². The unit is designed to maintain uniform vacuuming power, even when vacuuming fine dusts, over long service times.
- Full-electronic filter monitoring and control. The control unit will switch off, dedust the filter and then switch on again



	DS 4150 L + M	DS 4150 H
Motor power (kW)	15	15
Power supply (volts)	400	400
Vacuum (mmWS)	3500	3500
Air flow rate (m ³ /h)	980*	790
Filter surface (m ²)	11	16,8
Weight(kg) approx.	485	496
Body	Sheet steel	Sheet steel
Height (mm) approx.	1.870	1.970
Width(mm) approx.	820	820
Length (mm) approx.	1.900	1.900
Noise level (dB(A))	79	79



- Extra large filter, long service cycle
- Very low filter load factor
- Easy to change filter

* measured without pre-separator bin

- EN 60335-2-69 compliant version for use as IS and EOB/IS unit in dust classes L, M and H
- ATEX 100a compliant version for use as DUST-EX unit in dust classes M and H
- ATEX 100a compliant version for use as GAS-EX unit in dust classes L, M and H