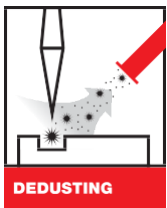


DUAL SEPARATION SYSTEM



PRE-SEPARATOR & PRE-FILTER DUAL SYSTEM
PRODUCT APPLICATION DOCUMENT



**SOLUTIONS
FOR EVERY
INDUSTRY**

Index

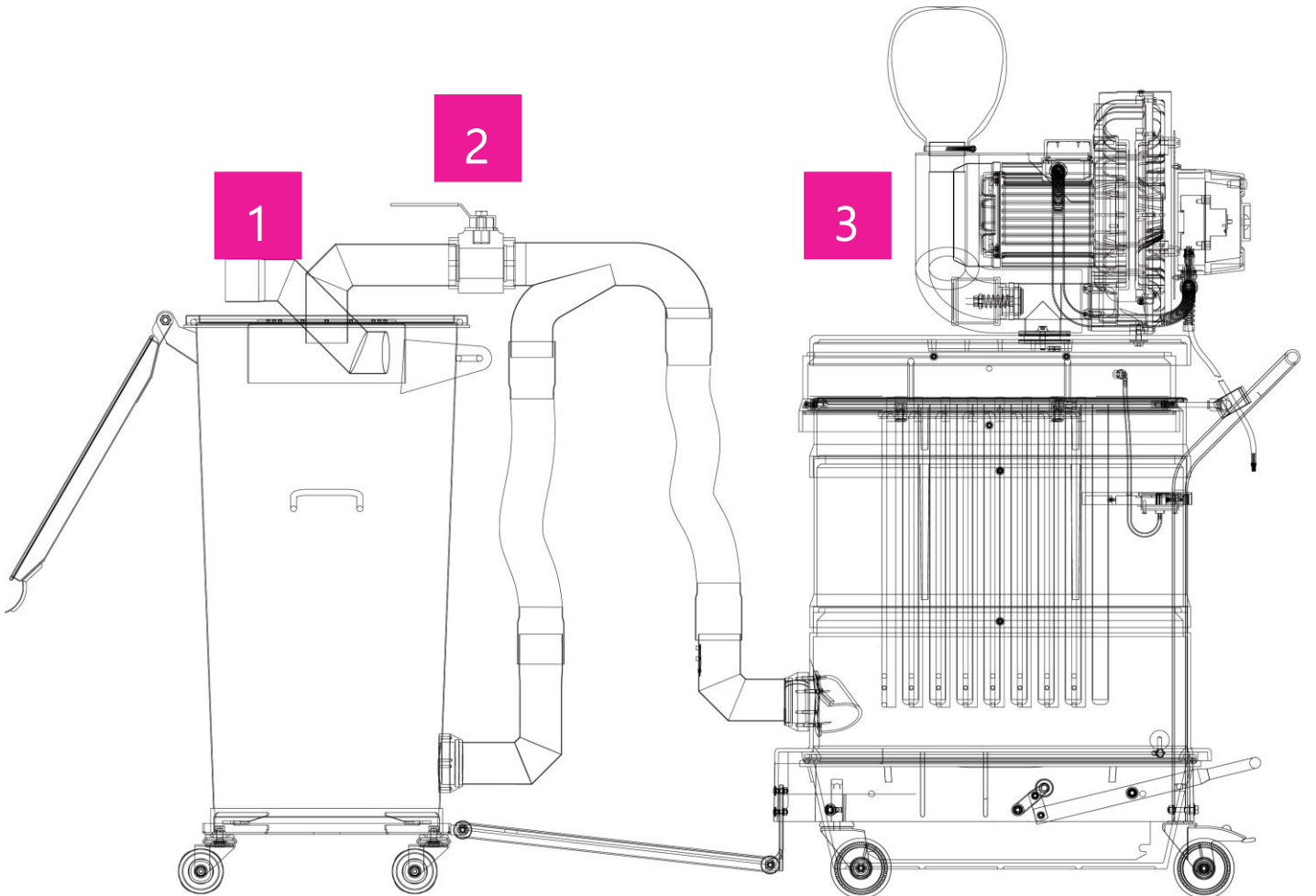


TECHNICAL DATA

APPLICATION

DUST COLLECTION OPTIONS

Technical Data



1

The Dual Separation System is available both in Stainless Steel / Galvanized Steel version and 110L/200L size.

The separation system serves as a 1st filtration stage whereas the majority of the material is separated within this container, thus relieving the vacuum unit's filter load.

2

A manual ball valve is integrated to switch between both application modes: Pre-separator and Pre-Filter.

A ball valve is a form of quarter-turn valve which uses a hollow, perforated and pivoting ball to control flow through it.

3

The Dual Separation System is combined with a suitable Ruwac Industrial Vacuum Cleaner. Ruwac provides various vacuum models to suit a vast range of performance needed for this application.

Dual System Option

Pre-filter / Pre-separator

APPLICATION

Application Pre-Separator:

When the dual separation system is in pre-separator mode, the application will concern the collection of dry, heavy material both in granular and powder form.

The Pre-separator is equipped with a bag suction system, whereas disposal of material is of high convenience in heavy duty disposable bags.

Application Pre-Filter:

When the dual separation system is in Pre-Filter mode, the application will concern the collection of sticky, hygroscopic & bulky material.

The Pre-Filter, just as its name, has a wide variety of disposable filter options for dissimilar types of sticky and bulky materials;

please see these options under "DISPOSABLE FILTER OPTIONS"

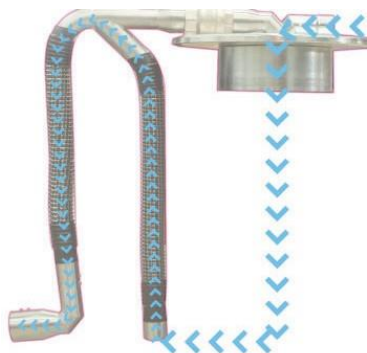
Pre-filter / Pre-separator Functions



FUNCTION VALVE OPEN

This position will function as the Pre-separator with bag suction.

A disposable bag is required for operation

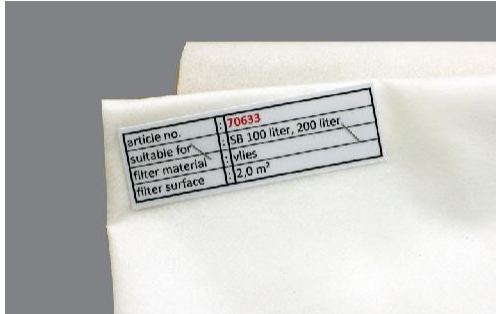


FUNCTION VALVE CLOSED

This position will function as the Pre-Filter.

A disposable filter bag is required for operation

DISPOSABLE FILTER OPTIONS



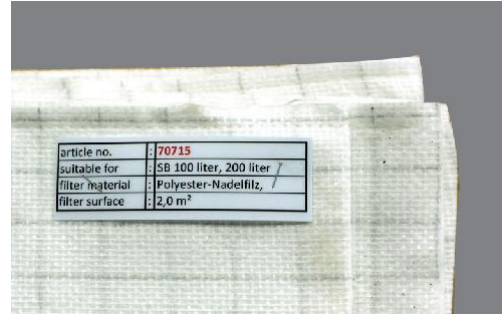
Fleece - Article No. 70633

Suitable for SB 100 L / SB 200 L

Filter : Fleece

Filter Area : 2.0 m²

Application: Sticky dust
Cutting strips,
None-flammable



Polyester Needle Felt - Article No. 70715

Suitable for SB 100 L / SB 200 L

Filter : Polyester needle felt

Filter Area : 2.0 m²

Application: Wood dust
Wood strip
Garment strips
Plastic strips



Polyester Needle Felt - Article No. 68217

Suitable for SB 100 L / SB 200 L

Filter : Polyester needle felt

Filter Area : 0.9 m²

Application: Milk powder



PAS-Textile (Use in parachute - Article No. 20721)

Suitable for SB 200 L

Filter : PAS-Textile (Parachute materials)

Filter Area : 2.0 m²

Application: Epoxy resin shavings (Small dust mixture)
Aluminium shavings / chips
Plastic shavings / chips

DISPOSABLE FILTER OPTIONS



Jute - Article No. 13894

Suitable for SB 110 L

Filter : Jute
 Filter Area : 1.0 m²
 Application: Textile fluff
 Bullet cartridge residues



Plastic Fiber Blue - Article No. 32029

Suitable for SB 200 L

Filter : Plastic fiber blue
 Area : 2.0 m²
 Application: Pharmaceutical dry dust
 (Airborne dust)
 Fleece particles



Polyester - Article No. 27181

Suitable for SB 200 L

Filter : Polyester
 Filter Area : 2.2 m²
 Application: Pigeon excrement



Polyester Needle Felt- Article No. 68233

Suitable for SB 110 L

Filter : Polyester needle felt
 Filter Area : 0.9 m²
 Application: -