

Chip separator

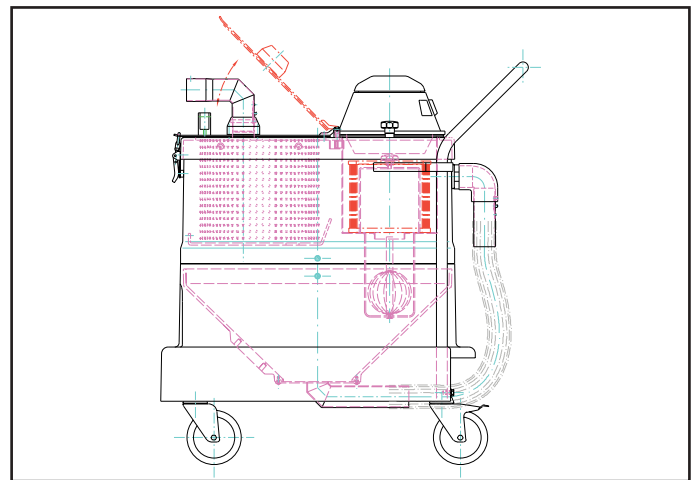
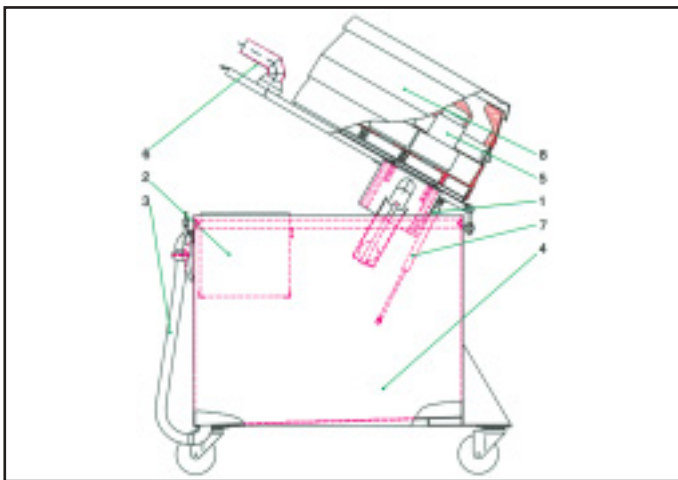
SPS 250

SPS 35



Separates chips from coolants efficiently

These special vacuums are suitable for cleaning machinery, vacuuming cutting oils, coolants and wet chips.



- Vacuums large quantities with high liquid content
- Extracts coolants from pump wells
- Vacuums chunky chips
- Particularly suitable for machining centres with pumping gear for continuous running

- Particularly ideal for use in narrow production lines
- Also suitable for smaller quantities with a low liquid content

	SPS 250-W 24	SPS 250-W 36	SPS 250-D 15	SPS 250-D 22	SPS 35
Housing	Steel	Steel	Steel	Steel	GFK
Length x Width (mm)	1100 x 500	1100 x 500	1100 x 500	1100 x 500	750 x 490
Height (mm)	1.160	1.160	1.250	1.250	880
Motor (watts)	2 x 1.200	3 x 1.200	1.500	2.200	1.200
Voltage (Volt)	230	230	400	400	230
Vacuum (mmWC)	2.300	2.300	1.750	2.000	2.400
Volume (m ³ /h)	275	410	230	270	166
Max. Capacity (liter)	150	150	150	150	35
Chip capacity (liter)	30	30	30	30	15

Safety filter: Coalescing media